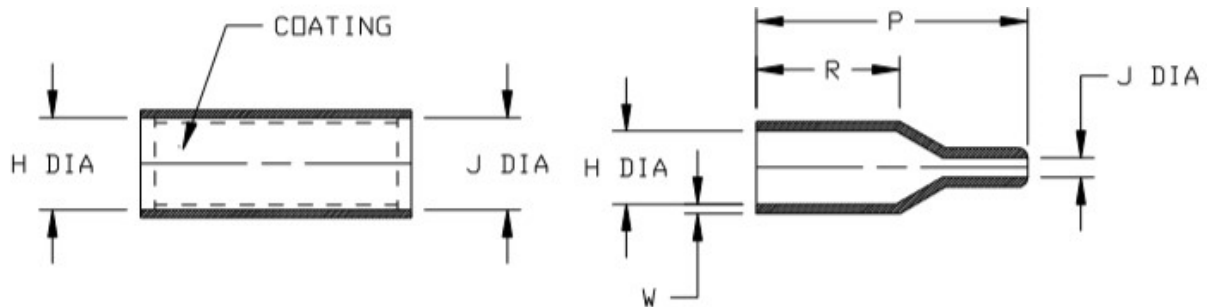


## Moulded Parts 204A011 (straight)

These moulded parts or heat shrink boots are used for mechanical protection and cable strain relief. This version is ideal for cable harness applications where cable branches and breakouts are required. Our moulded parts combine an easy and quick installation with high electric strength, mechanical toughness and chemical and environmental resistance. These moulded parts are with or without coating available.

As supplied

After heating



### Dimensions in mm

| Part number | Inside diameter (coating reduces Ø max. 1.5mm) |     |               |     | P                 | R    | W       |
|-------------|--|-----|---------------|-----|-------------------|------|---------|
|             | As supplied                                    |     | After heating |     |                   |      |         |
|             | H  | J   | H             | J   | Tolerance +/- 10% |      | +/- 25% |
| 204A011     | 9.6  | 9.6 | 7.9           | 2.0 | 28.4              | 14.7 | 1.0     |

### Material (not all combinations available)

| Ordering Code | Material                   | Operating temperature range |
|---------------|----------------------------|-----------------------------|
| -3            | Polyolefin, semi-rigid     | -55°C to +135°C             |
| -4            | Polyolefin, flexible       | -55°C to +135°C             |
| -12           | Fluoroelastomer, flexible  | -55°C to +200°C             |
| -25           | Elastomer, fluid resistant | -75°C to +150°C             |
| -100          | Polyolefin, halogen free   | -30°C to +105°C             |

### Coating, Adhesive

| Ordering code | Material                   | Operating temperature range |
|---------------|----------------------------|-----------------------------|
| /42           | Polyamide, hot-melt        | -20°C to +60°C              |
| /86           | High performance, hot-melt | -55°C to +120°C             |
| /225          | Epoxy/Polyamide            | -75°C to +150°C             |

### Colour

| Ordering Code | Colour |
|---------------|--------|
| -0            | Black  |